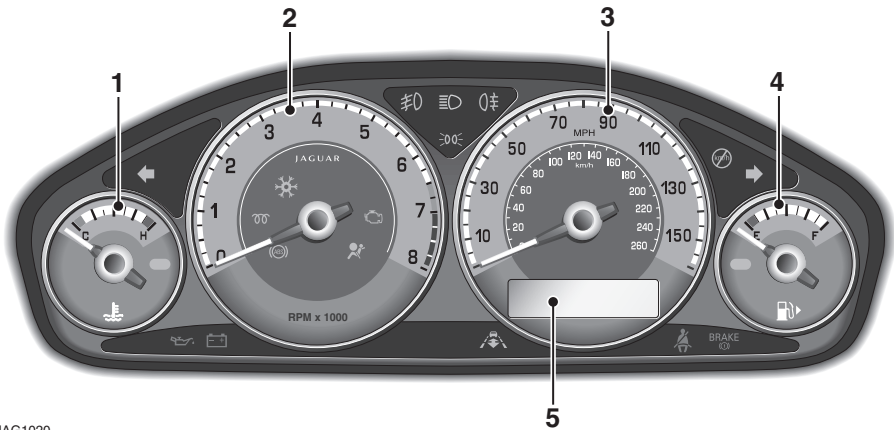


Instruments

INSTRUMENT PACK



JAG1020

None of the instruments will show correct indications until the starter switch is on (position II).

1. Temperature gauge.
2. Tachometer.
3. Speedometer.
4. Fuel gauge.
5. Odometer.

SPEEDOMETER

Speed indication is in either:

- miles per hour, the outer figures, and kilometres per hour or;
- kilometres per hour, the outer figures, and miles per hour or;
- kilometres per hour only.

Instruments

TACHOMETER

The tachometer indicates engine speed in revolutions per minute and is calibrated in increments of 250.

- For petrol models, the scale extends to 8000 rev/min.
- For diesel models, the scale extends to 5000 rev/min.

Do not allow the needle to enter the red sector.

FUEL LEVEL GAUGE

Indicates the amount of fuel in the tank. An amber warning indicator in the gauge face, illuminates as a low fuel reminder.

The small arrow, shown beside the fuel pump symbol, identifies on which side of the vehicle the filler cap is located.

Instruments

ODOMETER

The odometer records the total distance covered by the vehicle. It is displayed in the message centre, below the speedometer, unless a message has priority or a trip computer function has been selected.

ENGINE TEMPERATURE

Drive at moderate road and engine speeds until normal operating temperature is reached. This is indicated when the pointer is between the blue (cold) segment and the red (hot) segment.

The engine operating temperature will vary with changes in weather and engine load. The engine temperature may rise in some circumstances, such as:

- Idling for long periods in slow moving traffic.
- Driving up a long hill in hot weather.
- Driving slowly or stopping after driving at high speed.
- Towing a trailer or caravan.

Should the pointer move into the red segment (H) or the red indicator illuminate, stop the vehicle as soon as it is safely possible, turn off the engine and open the bonnet to allow the engine to cool.

Caution: Serious engine damage can occur if the vehicle is driven whilst the engine is overheating.



WARNING:

The radiator cooling fans may continue to run after the starter switch has been turned to the off position, but will automatically switch off when the engine has cooled sufficiently.



WARNING:

Do not remove the coolant reservoir filler cap while the engine is hot. If it is essential, then protect your hands against escaping steam. **SLOWLY** turn the cap counterclockwise to allow the steam pressure to escape completely before removing the cap.

Warning Indicators

GENERAL DESCRIPTION

Warning indicators are arranged within the instrument pack.

When a message centre is fitted there are two warning indicators, one red, the other amber, located above the message centre for primary and secondary status of the warnings displayed by the message centre.

Red warning indicators are for primary warnings. A primary warning must be investigated immediately by the driver or a Jaguar Dealer/Authorised Repairer.

Amber warning indicators are for secondary warnings when the driver must take action and then report the fault to a Jaguar Dealer/Authorised Repairer at the earliest opportunity.

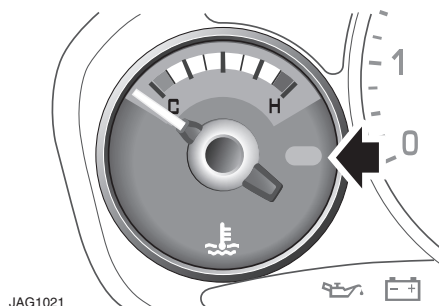
Other indicators show the system status, such as blue for high beam and green for direction indicators, when in operation.

An indicator lamp check is initiated when the starter switch is turned on, which lasts for three seconds (except the airbag warning indicator, which will remain on for six seconds). If any warning indicator remains on after this period, investigate the cause before driving.

When activated, some warning indicators have associated messages displayed on the message centre.

Note: *Not all indicators are included in the lamp check, for example high beam headlamps or direction indicators.*

High engine temperature (red)



WARNING:

It is unsafe to run the engine in an overheated condition.

The first indication of high engine temperature will be the needle entering the red zone of the coolant gauge and the illumination of the engine high temperature warning indicator.

If driving, pull to the side of the road and stop the engine when it is safe to do so. Allow the engine to cool.

To assist cooling, high engine temperature automatically turns off the air conditioning. To maintain some cooling it is advisable to switch the air distribution to recirculation.

If a message centre is fitted the indicator will illuminate and a message will be displayed.

Low oil pressure (red)



This illuminates when the starter switch is turned on and should be extinguished when the engine is running.

If the warning indicator stays on when the engine is running, loss of oil pressure is indicated. Stop the engine immediately and investigate the cause.

Warning Indicators

Caution: Do not restart the engine until the cause of loss of oil pressure has been identified and rectified.

First check the engine oil level, see '*ENGINE OIL LEVEL*', page 204.

Seat belt (red)



Illuminates when the starter switch is turned on and the driver's seat belt is not fastened. If the warning indicator stays on with the seat belt fastened, report the fault to a Jaguar Dealer/Authorised Repairer. It is safe to drive the vehicle with the indicator illuminated, provided that the seat belt is properly fastened.

Ensure that all occupants' seat belts are fastened before driving.

Door ajar warning (red)



Illuminates if one or more doors or the luggage compartment lid are open.

If a message centre is fitted the indicator will not illuminate but instead a message will be displayed.

Charge indicator (red)



Illuminates when the starter switch is turned on and should be extinguished when the engine is running.

If the indicator remains illuminated when the engine is running it indicates that there is an alternator fault.

Turn off all electrical accessories, radio, climate control, rear screen heater etc. Try to use the minimum electrical load possible and avoid using power windows, electric sunroof etc.

Report the fault to a Jaguar Dealer/Authorised Repairer.

Powertrain malfunction (red)



(Petrol only) Illuminates when there is an engine malfunction or transmission system malfunction.

If a message centre is fitted the indicator will not illuminate but instead a message will be displayed.

Cruise (speed) control activated (green)



Illuminates when cruise control, is engaged.

If a message centre is fitted the indicator will not illuminate but instead a message will be displayed.

Side (parking) lamps (green)



Illuminates when the side (parking) lamps are switched on.

Brake (red)



This indicator illuminates when:

- The starter switch is on and the parkbrake is on.
- The brake fluid is low.
- There is a fault with the electronic brake system (with the ABS indicator illuminated).

If the indicator is illuminated with the parkbrake NOT applied, low brake fluid or a fault with the electronic brake system is indicated. In this case, there may be a loss of braking assistance in one, or both, brake circuits. If the indicator is illuminated and the ABS indicator is also illuminated then the electronic brake system may not function correctly, which can impair stability when the brakes are applied.

Warning Indicators



WARNING:

If the message **LOW BRAKE FLUID** is displayed, **DO NOT drive the vehicle until the fault is rectified. Consult a Jaguar Dealer/Authorised Repairer immediately.**

Anti-lock Braking System (ABS) (amber)



If a fault has been detected in the (ABS) this indicator will illuminate.

The brake system will continue to function normally, but without ABS braking.

Should the indicator illuminate briefly or permanently after the bulb check cycle, stop the vehicle at the first opportunity, turn the engine off and then restart.

If the ABS indicator illuminates again, the vehicle should be driven to a Jaguar Dealer/Authorised Repairer at the earliest opportunity.



WARNING:

If the **ABS and brake warning indicators are on at the same time, DO NOT drive the vehicle until the fault is rectified. Consult a Jaguar Dealer/Authorised Repairer immediately.**

Dynamic Stability Control (DSC) (amber)



The indicator will flash at the rate of twice per second when DSC is operating.

The indicator stays on when a fault is detected in the system or the system is turned off.

If a message centre is fitted the indicator will not illuminate but instead a message will be displayed.

Engine malfunction (amber)



This indicator illuminates when there is an engine malfunction.

Specialised diagnostic equipment is required to repair such faults. Report the fault to a Jaguar Dealer/Authorised Repairer.

The vehicle may go to limp home mode, with the possibility of reduced engine performance. Drive the vehicle with caution.

Airbag (amber)



If the airbag system develops a fault, the warning indicator will flash and then come on and remain on until the fault has been diagnosed and cleared.

Report the fault to a Jaguar Dealer/Authorised Repairer immediately.

It is safe to drive the vehicle; however, in an accident the airbags may not operate.

High beam (blue)



Illuminates when the high beam headlamps are switched or flashed on.

Front fog lamps (green)



Illuminates when the front fog lamps are switched on.

Rear fog lamps (amber)



Illuminates when the rear fog lamps are switched on.

Warning Indicators

Direction indicators (green)



The appropriate indicator will flash when the column switch is moved up or

down to signal a right or left-hand turn. If a direction indicator fails, the indicator will flash at twice the normal rate when that indicator is selected. Fit a new bulb immediately.

Note: If a bulb has failed, the audible ticking will sound at twice the normal rate.

Hazard warning lamps

When the hazard warning is selected, both direction indicators flash simultaneously.

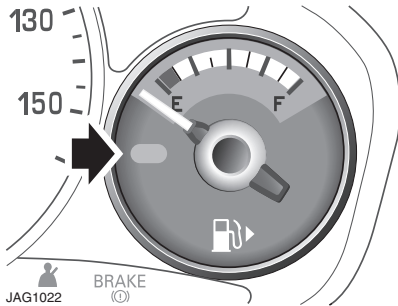
Low washer fluid level (amber)



Illuminates when the washer fluid level is low.

If a message centre is fitted, the indicator will not illuminate but instead a message will be displayed.

Low fuel reminder (amber)



An amber indicator on the fuel gauge (arrowed) illuminates when the remaining fuel has fallen to approximately 8 litres (1.75 gallons) including the reserve.

Note: Vehicles with diesel engines are equipped with a system to prevent the fuel tank from emptying completely. Refer to 'RUNNING OUT OF FUEL', page 141.

Overspeed warning (red)



(Middle East countries only)
Illuminates if the vehicle speed exceeds 120 km/h (75 mph).

Glow plugs (amber)



(Diesel only) Illuminates when the starter switch is turned on and switches off as soon as the glow plugs reach their operating temperature, indicating that the engine may be started.

Also acts as an engine malfunction warning lamp - it flashes in some error circumstances.

For more information on starting a diesel engine, refer to 'STARTING A DIESEL ENGINE', page 118.

Low outside temperature (amber)



Illuminates when frost or ice is likely to form on road surfaces.

The indicator will continue to be illuminated until the outside temperature rises to a safer level.



WARNING:

Even if the indicator is not illuminated, there is no guarantee that at low temperatures the road is free from ice.

If required, the low outside temperature warning indicator can be disabled by a Jaguar Dealer/Authorised Repairer.

Audible Warnings

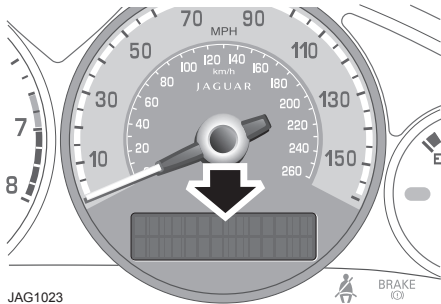
WARNING SOUNDS

Various sounds are produced for warning and notification purposes as follows:

Hazard or Condition	Remedy/chime or tone
External lamps remain on when the driver's door is opened.	A chime will sound until the lamps are switched OFF or driver's door is closed. Note: <i>The chime will not sound if the switch is in the Auto position.</i>
Hazard warning indicators on.	A ticking will sound until the hazard indicators are switched off.
Left or right direction indicators on.	If the switch has not turned itself off, switch the turn indicator off when the manoeuvre is completed. A ticking will sound until the indicators are switched off.
Entry delay warning.	A ticking warning will sound. Disarm the alarm system within 15 seconds by placing a key in the starter switch and turning to position I or press the key transmitter unlock button.
Airbag system failure.	A tone sequence is repeated five times. Report the fault to a Jaguar Dealer/Authorised Repairer as soon as possible.
Seat belt reminder (Middle East countries and Japan only).	A chime will sound until the unbuckled seat belt is fastened or the starter switch turned to 0 .
Automatic gear selector lever not in Park (P).	When the starter key is turned from position II to position I a chime will sound for 10 seconds or until the lever is moved to Park.
Key in starter switch warning.	A ticking will sound until either the key is removed, the driver's door is closed or the starter switched on.

Message Centre

MESSAGE CENTRE LOCATION



Driver information, messages and data are displayed on the message centre display panel situated within the instrument pack.

For the message centre to operate the starter switch must be turned on (position II).

The message centre displays:

- The total distance covered by the vehicle.
- Trip computer information.
- Warning messages if system faults are detected.
- Status messages to indicate changes in state of certain vehicle functions.

MESSAGES



WARNING:

If a red warning indicator is illuminated, stop the vehicle as soon as possible but only when it is safe to do so.

The primary function of the message centre is to inform the driver of the following:

- Warning messages.
- Temporary alert messages.
- Information messages.

Most messages, when displayed, have an associated warning indicator, red or amber, above the display which will come on to indicate the message priority.

Note: Messages take priority over the odometer reading or trip computer data and, if active, will be displayed when the starter switch is on.

If more than one message is active, each is displayed in turn for two seconds in order of priority.

Note: If warning messages are hidden, the warning or fault still exists and requires investigation.

Message centre illumination

The message centre is lit at all times when the starter switch is on.

All information displayed will be brightly lit if the exterior lamps switch is off.

If the exterior lamps switch is on the display brightness can be varied using the dimmer switch.

Note: Warning indicators and warning messages are always brightly lit and are not affected by the dimmer switch.

Message Centre

Message descriptions

The following tables list all messages and warning indicators and explain their meaning.

Message	Warning Indicator	Priority Indicator	Meaning
LOW BRAKE FLUID LEVEL	Brake	Red	Displayed when the brake fluid level is low. Complete loss of braking may occur.
HIGH ENGINE TEMPERATURE	Engine Overtemp	Red	Displayed when engine temperature becomes excessive. Pull off the road when safe to do so and allow the engine to cool.
RESTRICTED PERFORMANCE	None	Red	This will be displayed when the vehicle has possible loss of power or driveability. Report the fault to a Jaguar Dealer/Authorised Repairer.
ENGINE SYSTEM FAULT	Malfunction Indicator	Amber or Red	Displayed when the engine has defaulted to limp-home mode. Report the fault to a Jaguar Dealer/Authorised Repairer at the earliest opportunity.
GEARBOX FAULT	None	Amber	It is likely that the driver will experience a degradation of gearbox operation.
DPF FULL SEE HANDBOOK (Diesel models only)	None	Red or Amber	Amber displayed when the Diesel Particulate Filter (DPF) requires to be regenerated, carry out DPF regeneration, see DIESEL PARTICULATE FILTER (DPF), 140 . If red priority is indicated contact a Jaguar Dealer/Authorised Repairer as soon as possible.
DSC SYSTEM FAULT	Stability Control	Amber	Displayed when a fault occurs in the stability control system.

Message Centre

Message	Warning Indicator	Priority Indicator	Meaning
DCS on or DSC off	Stability Control	Amber	Displayed when the stability control system is switched on or off. The warning indicator will flash when the stability control system is switched on and operating. When the system is switched off, the warning indicator in the instrument pack will be illuminated until the system is switched back on.
DRIVER'S or PASSENGER'S FRONT OR REAR DOOR OPEN	Door Ajar Warning	Red	Check that all doors are closed before driving.
BOOT OPEN	Door Ajar Warning	Red	Check that the luggage compartment lid (or Estate tailgate and tailgate glass) is closed before driving.
LOW WASHER FLUID LEVEL	Low washer fluid level	Amber	Replenish the washer fluid at the earliest opportunity.
CRUISE NOT AVAILABLE	None	Amber	Displayed when a fault has occurred in the cruise control system.
CRUISE ENGAGED or CRUISE CANCELLED	None	None	Displayed when cruise control is engaged or cancelled.
SECURITY FAILED	None	Red	Displayed when a fault is detected in the security immobiliser system. The alarm security indicator in the centre console will flash. It is possible that the engine will not start. Report the fault to the nearest Jaguar Dealer/Authorised Repairer.

Trip Computer

TRIP COMPUTER FUNCTIONS

The computer memory stores data for a journey or series of journeys until it is reset to zero.

The displayed information is for guidance only, as it can be affected by traffic, road and weather conditions.

Two independent memories are available (A and B) to allow two separate journeys to be recorded concurrently, for example, work usage and evening/weekend usage.

Trip distance, average fuel economy and average speed will be prefixed A or B depending on the current memory selected.

Press the TRIP button on the end of the left column lever switch repeatedly to display the data in the following order:

- Odometer.
- Trip distance.
- Distance to empty.
- Average fuel economy.
- Average speed.
- Messages.

Odometer

The odometer shows the total vehicle distance travelled since the vehicle was new.

When the starter switch is turned on (position II) the display shows the odometer and trip distance readings.

The odometer reading is displayed in either miles or kilometres, depending on the units selected with the trip computer.

Trip distance (A/B)

Distance travelled since the last memory reset. The maximum trip reading is 9999.9 miles (16 090 kilometres). The computer will automatically reset to zero if this distance is exceeded.

Distance to empty

Predicted distance, miles or kilometres, that the vehicle should travel on the remaining fuel, assuming average fuel economy and fuel consumption stay constant.

Average fuel economy (A/B)

The average fuel consumption, litres per 100 kilometres or miles per gallon, based on the accumulated distance travelled and the accumulated fuel used.

Average speed (A/B)

The average speed since the last press of the reset button.

Trip Computer

TRIP COMPUTER SWITCHPACK



JAG0734

ML/km

Pressing the ML/km switch alternately displays data in metric or imperial units.

A/B

Selects either A or B trip memory. Select the required data using the column lever TRIP button and then pressing A/B will show the A or B information for that data.

RESET

RESET resets the selected trip to zero.

Warning and Information messages have priority over trip data and, if active, will be displayed when the starter switch is at position **II**.

Note: If warning messages are hidden, the warning/fault still exists and requires investigation.

Display language

To change the display language, switch the starter switch on while pressing the ML/km switch. The trip computer will display the current language.

Press the ML/km switch repeatedly to cycle through the available languages. Once the correct language is selected, press the A/B switch. The new language will be selected after a delay of three seconds.

Note: If you wish to exit the language selection function without changing the display language, you can either press the RESET switch, wait for ten seconds or turn the starter switch off.

Resetting the trip computer

At the start of the journey (or series of journeys) to be recorded, reset the computer memory to zero as follows:

1. Press the TRIP button on the end of the left column lever switch to select a trip function. The computer will display either TRIP A: or TRIP B: data.
2. Press the A/B switch to select the trip (A or B) to be reset.
3. Press the RESET switch and hold for three seconds.

The display will read:

RESETTING
TRIP A (or B).

Then it will reset and display:

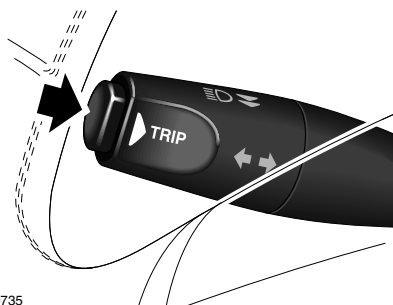
A: 0 (or B: 0)

or the new value.

Note: All trip functions, for A or B depending on which was selected, will be reset.

Note: The trip distance will automatically roll-over at 9999.9 miles (16090 kilometres).

Trip



JAG0735

Trip Computer

Press the TRIP button to cycle through: TRIP - ODOMETER - MESSAGES - CLOCK (where available).

Clock

If your vehicle is fitted with the Jaguar navigation system, the clock can be displayed in the message centre. Press the TRIP button on the end of the left column lever switch to cycle through the trip functions and display the clock.

Note: *The time is adjusted via the touch-screen, refer to 'CLOCK ADJUSTMENT', page 66.*

CLEARING MESSAGES

Messages can be hidden by pressing RESET on the trip computer switchpack. One press will hide one message. Once all messages have been hidden, the display will show trip data, a further press will display the odometer reading.

If RESET is pressed again, all active messages will be re-displayed. Repeatedly pressing the RESET button will cycle through the trip, odometer and message modes.

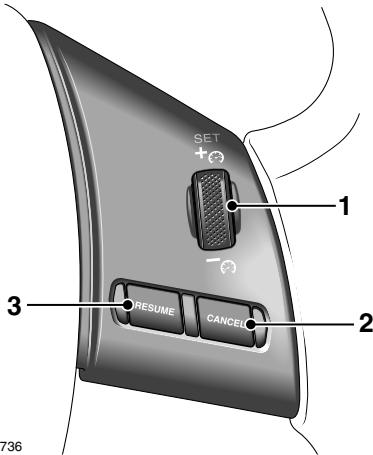
If a fault occurs when in trip computer or odometer mode, the relevant message will be displayed immediately.

If a trip computer function is selected by pressing the TRIP button while messages are displayed, the trip data will be displayed for 10 seconds, then the message will reappear.

Hidden messages will reappear after turning the starter switch off and then back on, if the fault remains.

Cruise (Speed) Control

CRUISE CONTROL SWITCHES



JAG0736

The cruise (speed) control system is used to maintain a selected vehicle speed above 18 mph (28 km/h) for 2.5- and 3.0-litre vehicles, and 40 km/h (25 mph) for 2.0-litre petrol and diesel vehicles, without the driver having to use the accelerator.

Controls on the steering wheel allow the driver manual control of the system. Brake and clutch operations also influence the cruise control system.

1. SET/Speed adjustment wheel is used to engage cruise control initially. It is also used to increase/decrease the set speed.
2. CANCEL cancels cruise control but retains the set speed in memory.
3. RESUME engages cruise control after it has been cancelled.

Setting vehicle speed



WARNING:

Only use cruise control when conditions are favourable, for example, straight, dry, open roads with light traffic.

When you are travelling at the speed you require, which must be above 18 mph (28 km/h) for 2.5- and 3.0-litre vehicles, and 40 km/h (25 mph) for 2.0-litre petrol and diesel vehicles, rotate the speed adjustment wheel towards + and then release it. Cruise control will engage and maintain the set speed and you can remove your foot from the accelerator pedal.



The status indicator illuminates to show that the system is on.

Vehicles with a message centre will show the message CRUISE ENGAGED.

Note: Cruise control will automatically disengage when the brake pedal is pressed or when the vehicle speed falls below 18 mph (28 km/h) for 2.5- and 3.0-litre vehicles, and 40 km/h (25 mph) for 2.0-litre petrol and diesel vehicles. If the vehicle has a manual gearbox, pressing the clutch pedal will also disengage the cruise control. The message centre will show the message CRUISE CANCELLED.

Changing the set speed

To increase or decrease the set speed, rotate the speed adjustment wheel until the desired speed is obtained.

The speed adjustment wheel can be used in two ways:

- If the wheel is repeatedly rotated and released (i.e. flicked towards + or -), the set speed will increase/ decrease in increments of 1 mph or 2 km/h.
- If the wheel is rotated towards + or - and held in position, the set speed will continuously increase/decrease.

Resuming the set speed

If the vehicle is accelerated above the set speed, then the set speed will be resumed when the accelerator pedal is released.

Cruise (Speed) Control

If CANCEL is pressed, or the brake or clutch pedal is pressed, the cruise control will disengage but the set speed memory will be retained. Press RESUME and the vehicle will return to the set speed.

Note: *Cruise control will not resume at speeds below 18 mph (28 km/h) 28 km/h (18 mph) for 2.5- and 3.0-litre vehicles, and 40 km/h (25 mph) for 2.0-litre petrol and diesel vehicles.*

RESUME will not operate if the starter switch has been turned off.

Caution:

- **RESUME should only be used if the driver is aware of the set speed and intends to return to it.**
- **It is not recommended to resume set speed when a low gear is selected as excessive engine speeds will occur.**

Cruise control will switch off and clear the memory when:

- The starter switch is turned off, i.e. is switched to position **0**.
- A fault occurs. The cruise control system will switch off and cannot be used until the fault is cleared.

Cruise control automatic switch off

Cruise control will switch off but the set speed will remain in the memory when:

- The CANCEL button is pressed.
- The brake pedal is pressed.
- The parkbrake is applied.
- Speed falls below 18 mph (28 km/h) for 2.5 and 3.0-litre vehicles, and 25 mph (40 km/h) for 2.0-litre petrol and diesel vehicles.
- Neutral, Park or Reverse gear positions are selected.
- DSC is operating.

- The difference between the actual and set speed is too great.
- When the vehicle reaches a maximum speed of:
Manual: 125 mph (200km/h)
Auto: 120 mph (192 km/h).
- The accelerator pedal is used to accelerate beyond the set speed for too long a period.
- If the vehicle has a manual gearbox, pressing the clutch pedal will also disengage the cruise control.

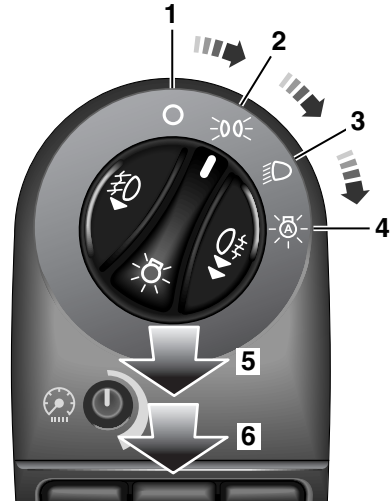
Exterior Lighting



WARNING:

It is an offence in certain countries to obscure front and rear lamps, direction indicators and reflectors.

EXTERIOR LIGHTING SWITCH



JAG0737

1. OFF.
2. Side (parking) lamps.
3. Headlamps.
4. Auto lamps.
5. Front fog lamps.
6. Rear fog lamps.

The exterior lamps are controlled by a rotary switch mounted on the fascia and by the left-hand column switch.

The rotary switch has six positions. These are:

OFF (1) - All exterior lamps off (except vehicles provided with daylight running lamps).

Sidelamps (2) - Switches on the front sidelamps, tail, number plate and any other marker lamps required by local legislation. When the external lamps are ON the instruments will also be lit.

Exterior Lighting

Headlamps (3) - With the starter switch turned to position **II**, this position switches on dipped headlamps in addition to the lamps switched on in position **(2)**.

The left-hand column lever switch has two pull positions. Pulling and releasing the switch to the first position causes the high beam to flash. The high beam can be flashed with the starter switch in position **II** and will remain ON for as long as the switch is held.

The second position is to switch high beam headlamps on. With the starter switch in position **II**, first select dipped beam lamps **(3)**, and then pull the column switch, past the first position, fully towards the steering wheel.

The blue warning indicator on the instrument pack and high beam headlamps will come on.

To turn high beam off, pull the column switch again to the high beam position.

Note: *If dipped beam is switched off, with high beam still activated both dipped and high beam will be extinguished. Both dipped and high beam will illuminate if dipped is turned on again. The starter switch must be in position **II** for the flash to operate.*

Headlamp convenience

The high beam lamps are turned on for 30 seconds when the headlamp convenience button on the key transmitter is pressed.

Note: *The key must not be in the starter switch for this feature to operate.*

The high beam lamps can be turned off before the 30 second delay by pressing the headlamp convenience button on the key transmitter or by turning the starter switch to position **II**.

Auto lamps (4) - A light sensor control, mounted on the front of the interior mirror fixing cover, monitors exterior light levels and automatically switches the sidelamps and dipped headlamps on or off.

The starter switch must be in position **II** for automatic lamp operation.

When light fades to the non-adjustable, preset level, the sidelamps and headlamps will switch on automatically.

As light increases to the preset level, the sidelamps and headlamps switch off automatically.

Do not cover the sensor and keep the windscreen clean. Obstructing the light in this area may lead to unwanted operation of the sidelamps and headlamps.

Front fog lamps (5)

With the switch in sidelamp or dip position, pull the switch to its first position to turn on the front fog lamps. Pushing the switch in or turning it to off will turn off the front fog lamps.

Note: *The front fog lamps should only be used when visibility is severely restricted by fog.*

Front fog lamps cannot be used with high beam headlamps. If high beam headlamps are switched on when the front fog lamps are on, the front fog lamps will be switched off.

The front fog lamps will not turn on if they are selected when high beam headlamps are on.

Rear fog lamps (6)

With the switch in any position except off, pull the switch to its second position to turn on the rear fog lamps. This will also turn on the front fog lamps unless high beam is selected. Pushing the switch in or turning it to off will turn off the rear fog lamps.

Daylight running lamps

In certain countries it is a legal requirement for the lamps to be on during the hours of daylight.

Exterior Lighting

With the rotary switch in the off position (1), dipped headlamps, sidelamps, tail, number plate lamps and, side marker lamps will switch on automatically with the following conditions:

- The starter switch is turned to position II.
- The vehicle gear selector out of park (automatic transmission only).
- The parkbrake not applied (released).

HEADLAMP LEVELLING



JAG0738

The headlamp levelling switch operates when the headlamps are switched on. Push and release the knob to extend it for ease of operation. Push the knob again to place it in the stowed position.

Turn the knob to the setting appropriate for the vehicle load, for example:

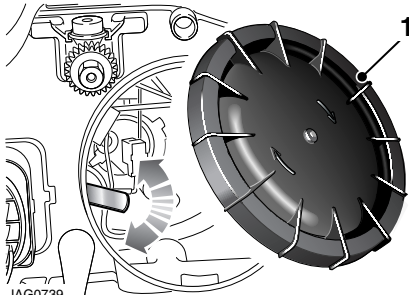
- 0** Normal setting - driver only.
- 1** Driver and one front passenger.
- 2** All seats occupied and maximum luggage.
- 3** Fully loaded vehicle and towing a caravan or trailer.

Auto headlamp levelling

Automatic levelling of the High Intensity Discharge (HID) headlamps is a feature which avoids dazzling oncoming drivers. A control unit adjusts the height of the lamps during acceleration, deceleration and terrain variation.

Exterior Lighting

TOURING HEADLAMP ADJUSTMENT



When touring in countries where you must drive on the opposite side of the road to your country, your vehicle dipped beam lamps may dazzle oncoming drivers.

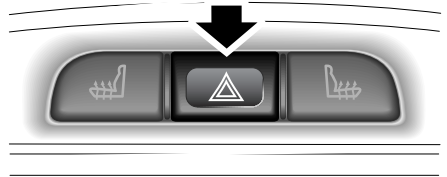
A lever, within the high beam headlamp, is used for dipped beam adjustment for touring. This lever flattens the dipped beam to avoid dazzling oncoming drivers.

Open the bonnet and remove the round cover (1) from a high beam headlamp.

Move the lever in the left-hand headlamp down and move the lever in the right-hand headlamp up, to flatten the beams for driving on the right side of the road.

Remember to place the levers back in their original positions when you return to your country of origin.

HAZARD WARNING



JAG0740

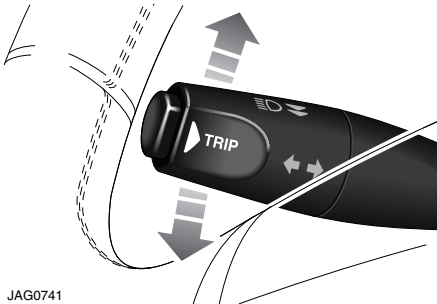
The switch is in the centre console and operates with the starter switch on or off. Use only in an emergency to warn traffic of a vehicle breakdown or approaching danger.

To operate: Press the switch; the direction indicators, the instrument pack green indicators and an audible warning will operate in unison.

To cancel: Press the switch again.

Exterior Lighting

DIRECTION INDICATORS



JAG0741

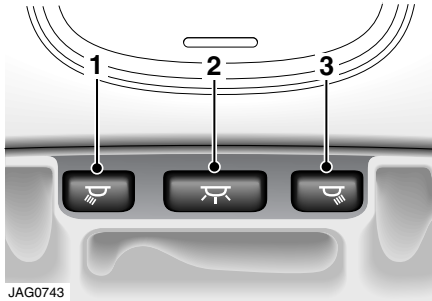
The direction indicators operate when the starter switch is in position **II**. To indicate for a right-hand or left-hand turn, move the column left lever switch up or down respectively. The switch will cancel when the turn is completed.

An audible ticking and a flashing green arrow on the instrument pack indicates that the selected direction indicator is on.

Should a direction indicator bulb fail, the corresponding side green warning indicator will flash at twice the normal rate. The audible ticking will sound at twice the normal rate.

Interior Lighting

READING/MAP LIGHTING



JAG0743

Interior lighting comprises, front and rear overhead courtesy lamps, two front reading/map lamps and a rear roof lamp. Vanity mirrors, glove compartment, footwell and luggage compartment lamps are provided.

Press the centre switch (**2**) in the front roof console to turn the courtesy lamp on. A second press turns the lamp off.

The reading/map lamps are turned on and off by individual switches (**1 or 3**).

ILLUMINATED ENTRY/EXIT

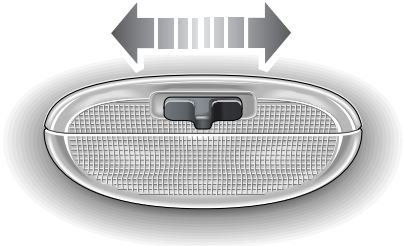
The courtesy lamps will gradually illuminate and remain on for 25 seconds if:

- The vehicle is unlocked.
- The starter switch is turned off (from position **II** to **0** or **I**).

If the courtesy lamps are on they will fade off 25 seconds after the last door is closed, or when the vehicle is locked.

Interior Lighting

REAR ROOF LIGHTING



JAG0744

The rear roof lamp switch has three positions:

- In the left position the lamp will be switched on.
- In the centre position the lamp will come on when a door is opened.
- In the right position the lamp will be switched off.

BATTERY SAVER

If the interior lamps are switched on using the centre switch in the overhead console and the starter switch is turned to positions **0** or **I**, the lamps will automatically turn off after 30 minutes.

If the interior lamps are switched on by opening a door and the starter switch is in positions **0** or **I**, the lamps will automatically turn off after 10 minutes.

If the glove compartment or vanity lamps are switched on and the starter switch is turned to positions **0** or **I** or the key is removed, the lamps will automatically turn off after 30 minutes.

Interior Lighting

DIMMER SWITCH



JAG0745

The instruments, door switch packs, in-car entertainment panel and the climate control panel will be lit when the starter switch is in position **II**.

Push and release the knob to extend it for ease of operation.

Rotate the knob to adjust the illumination to the required level.

Push the knob again to place it in the stowed position.

Parking Assist

PARKING ASSIST SYSTEM



WARNING:

Parking aids may not detect moving objects such as children and animals until they are dangerously close. Always use extreme caution when manoeuvring.

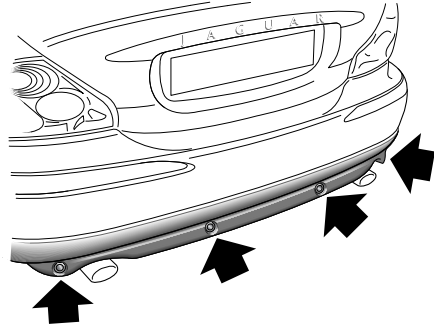
Parking assist is always automatically switched on when the starter switch is turned on.

Caution: Parking aids are for guidance only, and are not intended to replace the driver's visual checks for obstructions when manoeuvring.

Caution: Parking Distance Control (PDC) sensors may not detect some obstructions. Obstructions such as narrow posts, small objects close to the ground, and some objects with dark non-reflective surfaces, for example.

Caution: Systems which use the same frequency band as the front PDC sensors may cause irregular tones to be emitted.

Caution: When washing the vehicle do not aim high pressure water jets directly at the sensors. Do not use abrasive materials or hard/sharp objects to clean the sensors. Only use approved vehicle shampoo.



JAG0746

Note:

- For reliable operation, the sensors in the front (if fitted) and rear bumpers should be kept free from frost, ice and grime.
- When using a high pressure spray the sensors should only be sprayed briefly and at least 200 mm (8 inches) distance from the sensors.
- Front parking assist may sound spurious tones if it detects a frequency tone using the same band as the sensors, for example, a motor cycle exhaust.

Towing

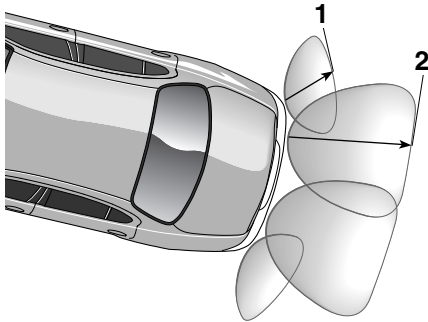
When an approved Jaguar tow-bar electrical system is fitted, the rear parking assist is automatically turned off if a trailer is attached to the vehicle.

Rear fitted accessories

Particular care must be taken with rear fitted accessories, for example, a tow-bar or a bicycle carrier, as the rear park assist will only indicate the distance from the bumper to the obstacle.

Parking Assist

Rear parking assist



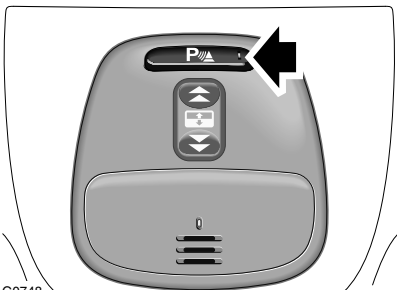
JAG0747

When reverse gear is selected and the starter switch is on, rear parking assist provides an audible warning when reversing the vehicle if obstacles are detected within range of the rear of the vehicle, as shown in the illustration above.

(1) is approximately 300 mm (12 inches).

(2) is approximately 1 500 mm (59 inches).

Front and rear parking assist



JAG0748

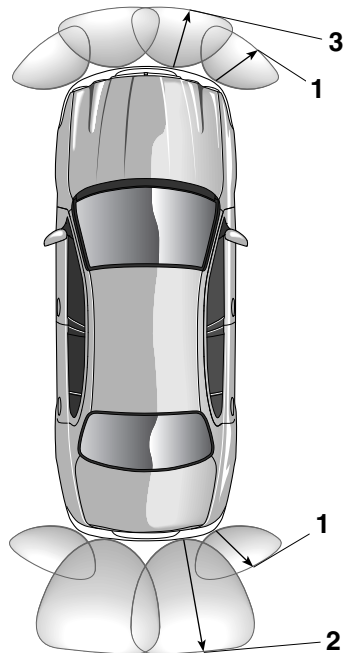
When both front and rear parking assist are fitted, a switch is located in the overhead console.

Pressing the switch turns front and rear parking assist on or off together. The switch will illuminate when the system is switched on. The switch will flash if a fault is detected in the system.

A switch is not provided where only rear parking assist is fitted.

Note: Front parking assist is always inactive when the starter switch is turned on. It is switched on when reverse gear is selected, or if the overhead console switch is pressed at speeds below 15 km/h (9 mph).

Operation of front parking assist



JAG0749

The front parking assist provides an audible warning when driving forwards if objects are detected within range of the front of the vehicle, as shown in the illustration above.

(1) is approximately 300 mm (12 inches).

Parking Assist

(2) is approximately 1 500 mm (59 inches).

(3) is approximately 800 mm (31 inches).

The front sensors switch off when moving forwards above 15 km/h (9 mph). The system can be switched back on at speeds below 15 km/h (9 mph) by pressing the overhead console switch.

If an obstacle is detected at the front or rear of the vehicle, a series of beeps will be heard from the front or rear speaker respectively, which increases in rate as the vehicle nears the obstacle.

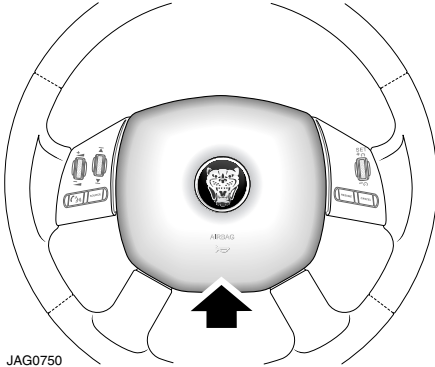
The beep becomes a continuous tone when an obstacle is detected at or within approximately 300 mm (12 inches) from the rear or 250 mm (10 inches) from the front of the vehicle.

Note:

- *If the system has a fault when engaging reverse gear or turning on the starter switch, then a single three second tone will be heard (only once per starter switch cycle) and, if fitted, the switch flashes. The system is automatically disabled when a fault is detected.*
- *Front parking assist may sound spurious tones if it detects an ultrasonic frequency using the same band as the sensors.*
- *Do not overload the vehicle. If the vehicle is overloaded, rear parking assist may sound spurious tones if it detects the road surface.*

Horn

HORN LOCATION



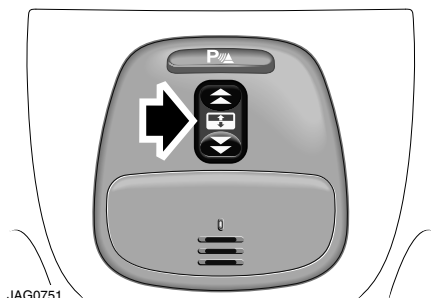
JAG0750

The dual-tone horn is operated by pressing the centre pad on the steering wheel.

The horn also operates as a warning horn if the vehicle alarm system is activated.

Sunroof

SUNROOF OPERATION



JAG0751



WARNING:

Extreme care must be taken to ensure that none of the occupants have any part of their body in a position where it could be trapped by the panoramic sunroof when closing. Although an anti-trap mechanism is fitted, serious injuries can occur.

The sunroof switch is located in the overhead console. The starter switch must be in position II for the sunroof to operate.

To open the sunroof

- Push the rear of the switch gently upwards to the first position and hold until the sunroof is fully open. The sunroof can be stopped at any open position by releasing the switch.
- To fully open the sunroof with one-touch operation, briefly push the rear of the switch fully upwards to the second position and then release. To stop the sunroof opening, briefly press the switch upwards, forwards or rearwards.

To close the sunroof

- Push the front of the switch upwards to the first position and hold until the sunroof is closed. It can be stopped at any position by releasing the switch.
- To close the sunroof with one-touch operation, briefly push the front of the switch upwards to the second position and then release. To stop the sunroof closing, press the switch upwards, forwards or rearwards.

To tilt the sunroof

To tilt the sunroof open, push the front of the switch upwards and hold until the required position is reached, or until the tilt is fully open, and then release the switch. To tilt open with one-touch operation, briefly push the switch upwards to the second position.

To close the tilted sunroof, push and hold the rear of the switch until the sunroof is closed. Briefly push the rear of the switch upwards to the second position to tilt closed with one-touch operation.

Sunroof

SUNSHADE OPERATION

The sunshade can be manually opened and closed. When the sunroof is fully open the sunshade is also fully open. It cannot be manually closed from this position.

Note: *When the sunroof is fully open the sunshade is also fully open and, because the recessed handle is hidden, it cannot be manually closed from this position. The sunroof will need to be fully closed to gain access to the recessed handle.*

Wipers and Washers

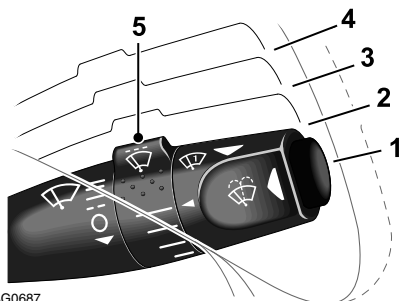
WINDSCREEN WIPERS

Caution: Do not operate the windscreen wipers on a dry screen. The drag on the wiper mechanism may cause damage.

Caution: In freezing, or very hot conditions ensure that the wipers have not stuck to the windscreen before operating. The drag on the wiper mechanism may cause damage.

Caution: Remove any snow, ice, or frost from the windscreen, around the wiper arms and blades and the screen scuttle before operating the wipers. Snow and ice can cause damage to the wiper mechanism if left uncleared.

The windscreen wipers and screen wash functions are controlled by the right-hand column lever switch and only operate with the starter switch in position II.



JAG0687

The lever functions are as follows:

1. Windscreen wipers off and parked.
2. Intermittent wipe.
3. Slow wiper operation.
4. High speed wiper operation.
5. Intermittent wipe delay.

Intermittent wipe

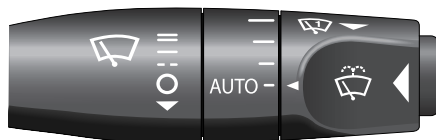
When intermittent wipe is selected the delay between wipes can be varied. Turn the collar (5) to vary the delay from one second to 22 seconds.

Single wipe

Saloon: Pull the column switch towards the steering column for a single wipe. Holding the column switch in this position will operate the wiper continuously at slow speed until released.

Estate: Push the column switch downwards from the off position (1). Holding the column switch in this position will operate the wiper continuously at slow speed until released.

Rain sensitive wiper control



JAG0807

With the starter switch in position II, select AUTO (turn the rotary collar (5) to AUTO) and intermittent wipe (2) to operate the wipers automatically when rain falls on to the windscreen or when moisture is present.

Caution: Ensure that AUTO is not selected in a car wash or damage to the wiper blades/arms can occur.

Note: When starting a journey with a wet windscreen, the rain sensing wipers will not operate immediately the starter switch is turned on. Therefore, a flick wipe should be used to clear the windscreen of any moisture.

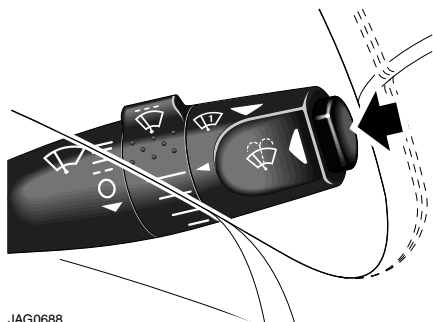
Wipers and Washers

WINDSCREEN WASH/WIPE



WARNING:

Some screenwash products are flammable, do not allow screenwash to come into contact with sources of ignition.



JAG0688

Push the button on the end of the switch to obtain the wash/wipe programme.

If the wipers are set to off or intermittent, the washers will operate at slow speed during the washing action when the button is pressed.

When the button is released, the wipers will complete three further wipes.

After the wash cycle has been completed the wipers will pause and then complete a drip wipe to clean any remaining drips of moisture from the screen. If rain sensitive wipers are fitted and selected then the wipers will operate until no moisture is detected. Drip wipe can be turned on or off by a Jaguar Dealer/Authorised Repairer, if required.

HEADLAMP POWERWASH

Note: The headlamp powerwash units are mounted between the front headlamps.

The headlamp powerwash feature will operate if the starter switch is in position II and the sidelamps are switched on. It will not operate if the washer fluid level is low.

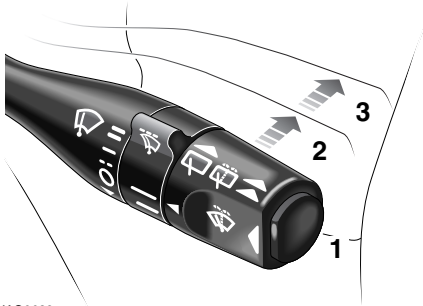
When the windscreen wash/wipe button is pressed, the headlamp powerwash directs a short burst at the headlamps. If the wash/wipe button is held, the screen wash cycle will continue for up to 20 seconds.

The headlamp powerwash will operate the first time the wash/wipe button is pressed and thereafter every sixth succeeding wash/wipe operation. If the headlamps or starter switch are turned off or on again, the headlamp powerwash will operate on the next press of the wash/wipe button.

Note: If the washer fluid level is low in the reservoir the windscreen wipers will not operate when windscreen wash is selected even though there may be washer fluid remaining in the reservoir and sprayed onto the screen. This is to prevent damage to the blades, scratching of the glass, or smearing dirt across the screen. Single wipe can be selected to clear the sprayed fluid from the screen.

Wipers and Washers

ESTATE REAR WASH/WIPE



JAG0689

Estate models are fitted with a rear screen wash/wipe. This is operated by the right-hand column lever and only operates with the starter switch in position II.

The lever functions are as follows:

1. Rear wiper off and parked.
2. Intermittent wipe.
3. Continuous wash and wipe.

Push the lever forward and hold it in position to select position (3). Release the lever, and it will return to position (2).

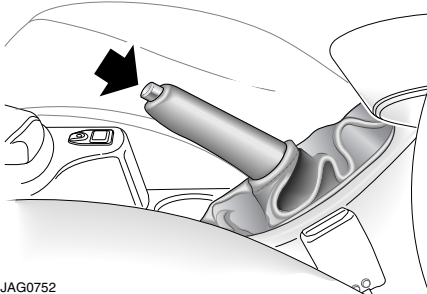
If the windscreen wipers are switched on and reverse gear is selected, the rear wiper will wipe intermittently.

If the rear wiper is set to intermittent when reverse gear is selected, the rear wiper will wipe continuously.

Caution: In cold conditions, when frost may be present on the rear screen, it is advisable to switch off the windscreen wipers before selecting reverse gear. The automatic operation of the rear wiper may cause damage to the blade if the screen is heavily frosted.

Parkbrake

TO APPLY THE PARKBRAKE



JAG0752

Always apply the parkbrake fully before leaving the vehicle.

- Press the footbrake pedal firmly.
- Whilst pressing the brake pedal, pull the parkbrake lever up smartly to its fullest extent.
- Do not press the release button while pulling the lever up.
- If your vehicle is parked on a hill and facing uphill, select first gear and turn the steering wheel away from the kerb.
- If your vehicle is parked on a hill and facing downhill, select reverse gear and turn the steering wheel towards the kerb.

Note: Vehicles with automatic transmission should always be left with the selector lever in position **P**.

TO RELEASE THE PARKBRAKE

To release the parkbrake, press the brake pedal firmly, pull the lever up slightly, depress the release button and push the lever down.

Interior Features

SLIDING ARMREST

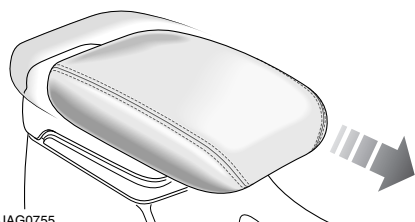
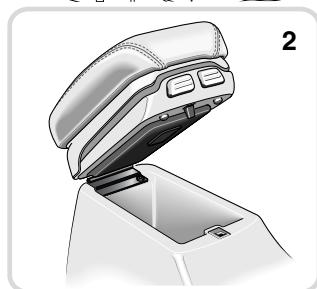
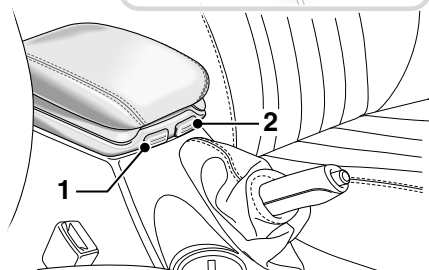


The sliding armrest is hinged at the rear and has two release buttons located on the front of the armrest.

Press the right-hand button (1) and lift the top of the armrest to gain access to the top storage compartment.

Press the left-hand button (2) and lift the complete armrest to gain access to the centre console cubby box compartment. The cubby box contains a storage rack for audio CDs or cassettes.

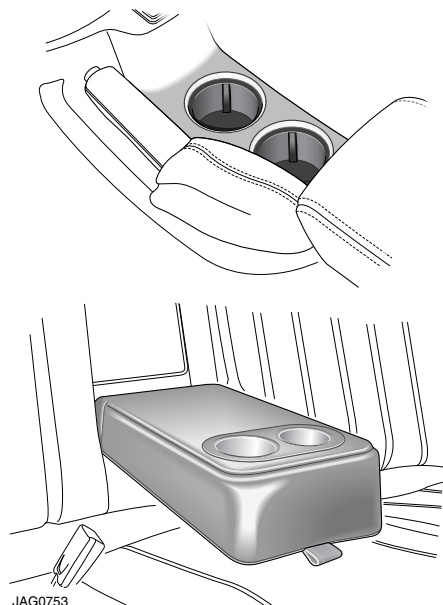
Pull the top of the armrest forwards or push rearwards to slide the armrest to a comfortable position.



JAG0755

Interior Features

CUPHOLDERS



JAG0753

The centre console and rear centre armrest each contain two cupholders.



WARNING:

The cup and bottle holders should only be used for soft containers. Containers which are hard (cans, metal, ceramic, hard plastic etc.) can cause serious injury if the vehicle is involved in an accident, sudden manoeuvre or braking.



WARNING:

Do not carry open drinks containers. Hot liquids can cause serious injury when spilled and may damage the vehicle.



WARNING:

Do not drink, or use the drinks holders when driving. Doing so would break concentration, which may result in loss of control.

Interior Features

GLOVE COMPARTMENT

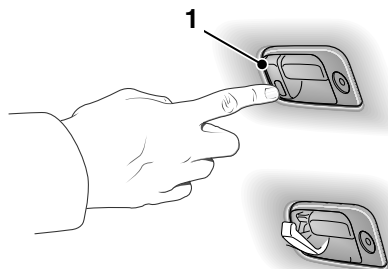
A glove compartment is located below the passenger's airbag.

To open the glove compartment, lift the handle and allow the lid to drop down. The compartment will be illuminated when open, provided the sidelamps are switched on.

If the compartment is left open the lamp will extinguish approximately 30 minutes after the starter switch has been set to position **0**.

The glove compartment can be locked using a starter key.

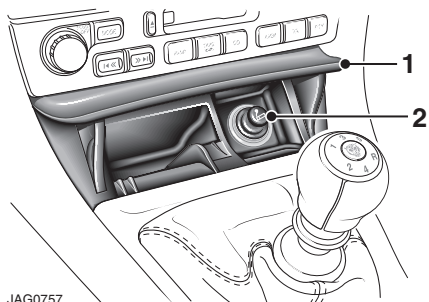
Light-weight luggage hook



JAG0754

A hook for holding light-weight items such as a handbag, purse or small shopping bag is fitted beside the glove compartment lid release catch. Press the lower part of the hook (**1**) to lower the hook. Fold the hook back into the lid after use.

CIGAR LIGHTER AND ASHTRAY



JAG0757



WARNING:

Do not use the ashtrays for disposing of waste paper, or other combustible items. The resulting fire may cause death or serious injury.

To gain access to the cigar lighter and ashtray, press the lid (**1**) at the bottom edge, close to the chrome indicator.

To operate the cigar lighter (**2**) the starter switch must be on, press the lighter down and wait until the element has heated, it will then pop up.

Note: *Never hold the lighter knob down. Do not attempt to remove particles from the heating element as it is self-cleaning.*

To empty the ashtray, lift it out vertically and remove. After emptying, push the ashtray into the opening until it snaps back into place.

The cigar lighter is replaced by a 12 volt accessory socket on certain models. The accessory socket can be used to power 12 volt appliances having a maximum current rating of 10 amperes. However, if the engine is not running, this will accelerate battery discharging.

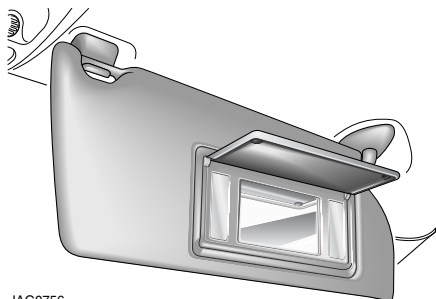
Interior Features

Note: When connecting appliances to the accessory socket, use only connectors suitable for use with SAE standard sockets.

Caution: Only Jaguar approved accessories should be plugged into the accessory sockets. Using any other equipment may damage the vehicle's electrical system. If you are in any doubt contact a Jaguar Dealer/Authorised Repairer.

Caution: The engine should be running when using accessories for long periods. Failure to do so can discharge the battery.

SUN VISORS AND VANITY MIRRORS



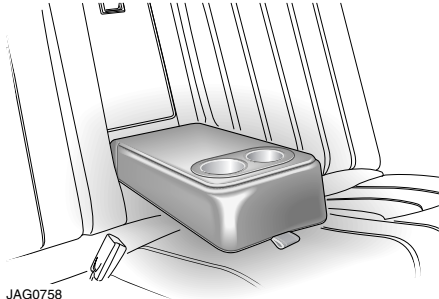
JAG0756

Adjustable sun visors can be swung downwards or unclipped and swung sideways to reduce sun glare.

The sun visors are fitted with illuminated vanity mirrors, behind a hinged flap. The lamp comes on when the flap is lifted.

Interior Features

REAR CENTRE ARMREST



JAG0758

Pull the loop on the rear centre armrest to lower. If not required, raise the armrest to its upright position and push firmly into place. Ensure that the armrest is raised when lowering the seat back to increase the luggage compartment area, see '*CUPHOLDERS*'; *page 113* for further information related to this feature.

Engine Starting

BEFORE STARTING



WARNING:

Before attempting to start the engine, check the parkbrake is on and the gear selector lever (automatic transmission) is in position P or N or (manual transmission) in Neutral.



WARNING:

Never start the engine, or leave it running, when the vehicle is in an enclosed space. Exhaust gases are poisonous and can cause death if inhaled.

Before starting the engine, new owners/drivers must familiarise themselves with the layout and operation of the controls and instruments.

STARTING A PETROL ENGINE

Vehicles with with automatic transmissions cannot be started until the gear selector is in **N** or **P**.

Insert the key into the starter switch and turn clockwise to position **I** to switch on.

When the key is turned to position **III** the starter motor will turn the engine until:

- The key is released and automatically returns to position **II**.
- The starter switch is turned to **0** or **I**.
- The gear selector is moved out of **P** or **N** (automatic transmission vehicles).
- The engine starts.

Do not use the starter motor continuously for longer than six seconds. Continued use of the starter will discharge the battery and may damage the starter motor mechanism. When the engine starts, release the key. Wait until the engine stops turning before re-using the starter motor.

The red charge warning indicator in the instrument pack should extinguish when the engine is running.

If the engine fails to start

If a key is placed in the starter switch and turned to position **II** and the alarm security lamp is flashing, it is possible that the engine will not start. In any event, please contact a Jaguar Dealer/Authorised Repairer to investigate the cause of the lamp flashing.

It is possible that the fuel system inertia switch may have tripped, see '*RESETTING THE INERTIA SWITCH*', page 167 for the resetting procedure.

Engine Starting

If the engine persistently fails to start and flooding is suspected, depress the accelerator pedal fully, hold it in this position and turn the key to position **III** for six seconds. Release the key, remove your foot from the accelerator pedal and then attempt to restart the engine.

Note: *The engine cannot start whilst the pedal is fully depressed, it must be released to enable the engine to start.*

If the engine still fails to start, turn the starter switch off and contact a Jaguar Dealer/Authorised Repairer.

Stopping a petrol engine and locking the steering

Turn the key from position **II** to the lock position **0**. This stops the engine. The steering will be locked when the key is removed from the switch.

Leaving the key in position **I** or **II** will discharge the battery.

STARTING A DIESEL ENGINE



Insert the key into the starter switch and turn clockwise to position **II**. Ensure the glow plug indicator illuminates.

Once the indicator has extinguished, depress the clutch and do not touch the accelerator pedal. Turn the key to position **III** to turn the starter motor. Continue to operate the starter motor without pausing, until the engine starts. Once the engine has started, release the key, which will return to position **II**.

Note: *Vehicles with with automatic transmissions cannot be started until the gear selector is in **N** or **P**.*

If the engine stalls or fails to start, the key must be turned to position **I** before attempting to restart.

At extremely low temperatures it may be necessary to crank the engine for up to 30 seconds. If these weather conditions persist, an engine block heater is recommended.

Caution: **Do not let the engine run under full load immediately after starting. Give the lubricating oil time to reach the oiling points to prevent damage to the engine.**

Stopping a diesel engine and locking the steering

Release the accelerator pedal. Wait until the engine has reached idle speed, then turn the key from position **II** to the lock position **0**. This will turn off the engine. The steering will be locked when the key is removed from the switch.

Engine Starting

Caution: Do not depress the accelerator pedal. If the engine is switched off at high speed, the turbocharger will continue running after the engine oil pressure has dropped to zero. This will cause premature wear of the turbocharger bearings.

Leaving the key in position I or II will discharge the battery.

Caution: Especially after driving at high engine speeds for any length of time, it is important to let the engine run for a time (one minute) while stationary before switching it off. This allows the turbocharger turbine blades to cool off, while lubrication is still being fed to the turbocharger bearings.

Transmission

AUTOMATIC TRANSMISSION (DIESEL)

WARNING:

Park P should be engaged and the park brake applied when the vehicle is stationary. The vehicle can move unexpectedly with any other gear position selected, which may result in death or serious injuries to people or animals outside of the vehicle.

Caution: Never select the Park P position whilst the vehicle is in motion. Doing so may cause serious damage to the transmission.

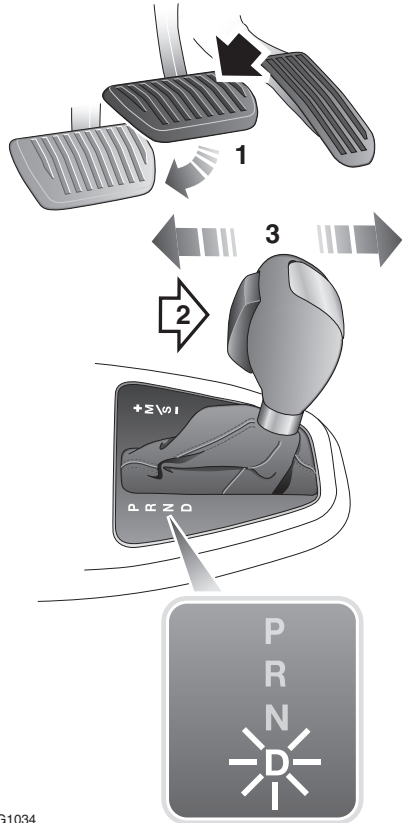
Caution: Never select the Reverse R position whilst the vehicle is in forward motion. Doing so may cause serious damage to the transmission.

Caution: Never select a forward gear whilst the vehicle is in rearward motion. Doing so may cause serious damage to the transmission.

Caution: Do not rev the engine or allow it to run above normal idle speed while selecting D or R, or while the vehicle is stationary with any gear selected.

Caution: Do not allow the vehicle to remain stationary for any length of time with a gear selected and the engine running. Always select P or N if the engine is to idle for a prolonged period.

Automatic mode



JAG1034

To select Drive **D** when the vehicle is stationary:-

1. Apply the footbrake.
2. Press the gear selector release button.
3. Move the gear selector to Drive **D**.

When in **D** the transmission will automatically select the most appropriate gear for the current driving conditions.

Transmission

Note: If pressure is applied to the selector lever before the foot brake is applied, any gear selected may not be available irrespective of the lever position. In this situation, remove pressure from the selector lever, ensure that the footbrake is applied and select the required gear.

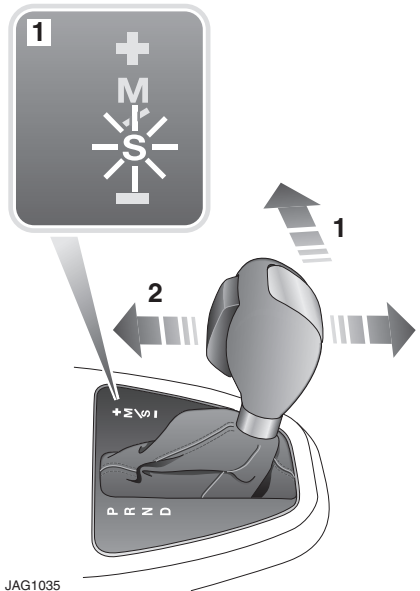
Note: When a gear is selected the vehicle may begin to move as soon as the foot brake is released.

Kick-down

When **D** is selected, and the accelerator pedal is depressed fully the transmission will downshift to the lowest appropriate gear. Once the accelerator pedal is returned to a normal driving position the transmission will upshift to the highest appropriate gear.

Note: Kick-down operation will vary according to road speed, current gear in use and accelerator movement.

Sport mode and Jaguar Sequential Shift™



1. To select sport mode, move the selector lever across from **D** to **SPORT**.
2. To use Jaguar Sequential Shift, move the selector lever forward to move up a gear, and back to move down a gear.

Sport mode

When sport mode is selected (1) **SPORT** will be displayed in the message centre, and the selector indicator will illuminate.

To return to automatic mode move the selector lever back to the Drive (**D**) position. The **D** on the selector display will illuminate to confirm that automatic mode has been selected.

Jaguar Sequential Shift™

When using Jaguar Sequential Shift the selected gear is displayed in the message centre.

Transmission

Moving away from a stand still can be achieved using either first or second gear. This may prove useful for certain terrain, using second gear for pulling away on snow for example.

Note: *In order to protect the engine, the transmission will automatically change up to prevent over-revving, or down if the engine is labouring.*

Note: *When in Jaguar Sequential Shift, if the vehicle comes to a complete stop the transmission will remain in second gear. First gear can be selected manually if required.*

Electronic gear change strategies

In automatic, or sport modes (not available in Jaguar Sequential Shift) the gear change points will be adapted to suit driving conditions.

Hill ascent, towing, and high altitude

The lower gears are selected, and maintained for longer than usual. This helps overcome the loss of momentum when towing, or ascending hills. It also helps overcome the loss of engine torque when the vehicle is operating at high altitudes.

High temperatures

In circumstances where engine and transmission temperatures are raised to very high levels, the gear change strategy will alter to provide maximum cooling efficiency.

Transmission fault

In the unlikely event that a fault develops within the transmission system, **F** will be displayed in the gear position display and a warning message will appear in the message centre. A limited range of gears will be available, and you should seek qualified assistance immediately.

AUTOMATIC TRANSMISSION (PETROL)



WARNING:

Park P should be engaged and the park brake applied when the vehicle is stationary. The vehicle can move unexpectedly with any other gear position selected, which may result in death or serious injuries to people or animals outside of the vehicle.

Caution: Never select the Park P position whilst the vehicle is in motion. Doing so may cause serious damage to the transmission.

Caution: Never select the Reverse R position whilst the vehicle is in forward motion. Doing so may cause serious damage to the transmission.

Caution: Never select a forward gear whilst the vehicle is in rearward motion. Doing so may cause serious damage to the transmission.

Caution: Do not rev the engine or allow it to run above normal idle speed while selecting D or R, or while the vehicle is stationary with any gear selected.

Caution: Do not allow the vehicle to remain stationary for any length of time with a gear selected and the engine running. Always select P or N if the engine is to idle for a prolonged period.

J-Gate

The J-gate gear selector lever is designed to accommodate two different driving techniques as follows:

- Automatic selection - the right-hand side of the selector gate.
- Manual selection - the left-hand side of the selector gate to individually select 4th, 3rd, or 2nd gear.

Transmission

Gearshift Interlock

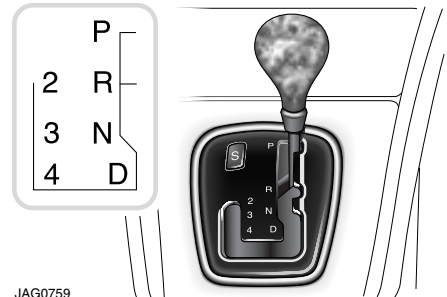
(automatic transmission only)

A brake pedal/gearshift interlock system is incorporated into the automatic gear selector mechanism.

To move the gear selector from Park:

1. Turn the starter switch to position II or start the engine.
2. Press the brake pedal.

Gear Selector Positions



JAG0759



WARNING:

The parkbrake or brake pedal must be applied before selecting forward or reverse drive from a stationary position.

P = Park - Use when parking. In this position the transmission is locked. Do not select if the vehicle is moving.

N = Neutral - Disconnects the driveline from the engine. Use the parkbrake when stopping temporarily.

R = Reverse - Do not select if the vehicle is moving forward.

The reversing lamps come on automatically when reverse gear is selected and the starter switch is in position II.

D = Drive - All five gears are changed automatically as required by the throttle position and road speed.

2, 3, 4 = Second, third, fourth - If selected, the transmission operates automatically but will not engage gears higher than the one selected.

Note:

- After selecting forward or reverse drive ranges from Neutral or Park, wait briefly for the transmission to engage before accelerating.

Transmission

Drive to fourth

When driving in gear position **D** with fifth gear engaged, the gear selector can be shifted sideways across the gate to **4**. Provided that the vehicle's speed is not too great, the transmission will shift down to fourth. Fifth will be inhibited until the gear selector is moved back to **D**.

Hill climbing and engine braking

When driving on roads with long downhill gradients, selecting **3** or **2** (depending on road/traffic conditions) will give engine braking.

When the gear selector is moved from **D**, **4** or **3** down to **2**, downshift to second gear will only take place at road speeds below 40 mph (64 km/h).

Shift inhibit

Reverse is inhibited when the vehicle is moving forward at speeds above 5 mph (8 km/h).

Note: Reverse inhibit will not function in limp-home mode.

Kickdown

Kickdown is operated when the accelerator pedal is pressed fully down, beyond the normal operating spring pressure, to provide maximum engine performance. Kickdown is used in circumstances where rapid acceleration is required, such as when overtaking.

Kickdown causes the transmission to change down to the lowest gear possible to achieve maximum acceleration. The gear engaged depends on the road speed at the time of kickdown.

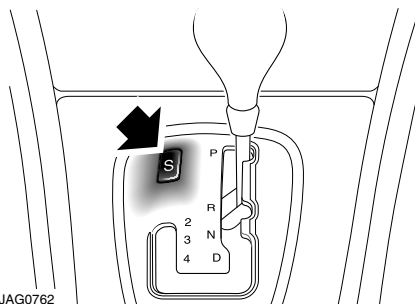
As well as shifting down, the gearshift points are extended to give greater performance. This mode is in effect for as long as the pedal is fully pressed down.

Limp-home mode

In the unlikely event of an electrical or mechanical failure, transmission operation will be impaired. The vehicle gear selector ranges P, R, N, D can still be used to enable the vehicle to be driven to a safe area.

The driver should be aware that the vehicle's performance will be reduced and must take this into account when driving. In this event consult a Jaguar Dealer/Authorised Repairer immediately.

Sport Mode



The switch marked **S** on the J-gate surround enables the driver to select either Normal **N** or Sport **S** modes.

When Sport mode is selected the automatic transmission will operate normally, but the gearshift points are extended to make full use of the engine's power reserves.

To select Sport, press the switch. The switch illuminates red to indicate that Sport mode has been selected.

To cancel Sport, press the switch again.

Note: Both sides of the J-gate can be used irrespective of the transmission mode, e.g. with **S** selected the transmission can be operated in full automatic or by manual selection.

Transmission

In addition to the switched transmission modes (**N** and **S**) the transmission control module will select shift patterns to suit specific conditions.

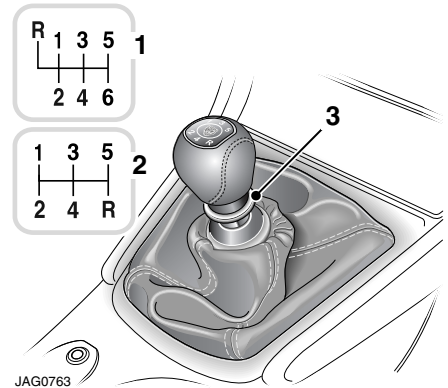
Cruise Control - When cruise control is operating at a set speed the transmission selects a shift pattern to suit cruise control operation.

Dynamic Stability Control - When DSC is switched on and the system is activated, the transmission selects a shift pattern to suit conditions.

Gradients - When the vehicle is being driven on roads with uphill gradients, the transmission adapts the shift pattern to make better use of engine power and aid engine cooling.

Note: *Under the conditions described above, the relevant transmission mode will override the **N** or **S** modes selected by the driver. When such conditions no longer exist, e.g. cruise control switched off, the transmission will revert to the shift pattern previously selected by the driver, i.e. **N** or **S**.*

MANUAL TRANSMISSION



A diagram of the gearshift pattern, either six speed (**1**) or five speed (**2**) is set in the top of the lever knob.

Depress the clutch pedal completely when changing gear. To avoid excessive clutch wear do not drive with your foot resting on the clutch pedal.

To select reverse gear, pull up the ring (**3**) below the gear knob, then move the lever to the reverse position.

Caution: Do not select reverse gear while the vehicle is moving forwards.

Braking System

ANTI-LOCK BRAKING SYSTEM (ABS)

This system helps to prevent the road wheels from locking and skidding during emergency braking, assisting the driver to maintain full steering and directional stability.

The factor controlling ultimate stopping distance and cornering ability is tyre/road adhesion.



WARNING:

It remains the driver's responsibility to drive safely according to prevailing conditions.



WARNING:

The fact that a vehicle is fitted with ABS must never allow the driver to be tempted into taking risks which could affect his/her safety or that of other road users.



WARNING:

The addition of ABS cannot overcome the consequences of trying to stop in too short a distance or cornering at too high a speed, or the risk of aquaplaning.



WARNING:

The driver should always take road conditions into account.

A slippery road surface always requires more braking distance for a given speed, even with ABS.

A possible increase in stopping distance compared to locked wheels may occur during ABS operation on slushy snow, gravel, sand, or some heavily corrugated or ridged warning sections of road surfaces.

ABS optimises tyre/road adhesion under maximum braking conditions though it cannot provide increased cornering ability. There is no need for special braking techniques, such as pumping the brakes, to achieve optimum braking distances and control on poor or slippery road surfaces. Tyres must be in good condition to achieve maximum adhesion.

During normal braking the ABS will not be activated. However, if the braking force applied begins to exceed tyre/road adhesion the ABS will automatically activate, preventing the road wheels from locking.

In these circumstances a pulsating effect will be felt from the brake pedal indicating that the system is functioning. The pulsating effect is due to small fluctuations in pressure supplied to the brakes by the system to maintain full tyre/road adhesion.

Under severe braking, on some road surfaces, tyre noise may be apparent even though the wheels will at no time become locked.

ABS monitoring

The ABS control module monitors the ABS electrical system from starter switch on to starter switch off.

Any malfunction will be indicated by the anti-lock warning indicator illuminating.

Should a fault develop in the ABS system, the brake system will still operate conventionally and with the same standard of performance as vehicles not equipped with ABS.

Braking System

Anti-lock Brake System (ABS) warning indicator



WARNING:

If the ABS warning indicator illuminates whilst driving, avoid heavy braking. Seek qualified assistance as soon as possible. Failure to follow this instruction may lead to personal injury or loss of vehicle control.

Hints on driving with ABS

The Anti-lock Brake System (ABS) helps the driver to maintain full steering and directional stability during emergency braking by preventing the road wheels from locking and skidding. ABS constantly monitors the speed of each road wheel and varies brake pressure to each, according to the available grip. ABS optimises the tyre-to-road adhesion under maximum braking.

When ABS is activated, you will feel a pulsating effect on the brake pedal. This is normal and you must maintain maximum pressure on the brake pedal for ABS to be effective.

ABS will enable you to steer around obstacles during emergency braking. ABS will not eliminate the dangers inherent when:

- driving too close to the vehicle in front of you
- aquaplaning
- cornering with excessive speed
- poor road surfaces.

EMERGENCY BRAKE ASSIST

The Emergency Brake Assist (EBA) system works in conjunction with the Dynamic Stability Control (DSC) system. EBA measures the rate at which the brake pressure increases. If the system detects an emergency braking situation, EBA automatically initiates the full braking effect. This can reduce stopping distances in critical situations, which can help an inexperienced driver to stop in the same distance as an experienced driver.



WARNING:

The EBA system is an additional safety system: it is not intended to relieve the driver of his, or her, responsibility for exercising due care and attention when driving.

Stability Control

DYNAMIC STABILITY CONTROL (DSC)



JOL2657

WARNING:

- **The fact that the vehicle is fitted with Dynamic Stability Control must never allow the driver to be tempted into taking risks which could affect his/her safety or that of other road users. In all cases it remains the driver's responsibility to drive safely according to the prevailing conditions.**
- **It is recommended that when using snow chains, DSC should be switched OFF.**

Dynamic stability control is operational whenever the engine is running, unless it has been switched off. If the system is operating, the warning indicator in the instrument pack will flash.

The DSC system controls the anti-lock braking system (ABS), traction control and yaw control of the vehicle.

Yaw control determines the vehicle's direction relative to the driver's inputs (sideslip and under/oversteer). It applies braking pressure to individual wheels if excessive variation is detected. This ensures that the vehicle follows the driver's intended direction of travel.

The system will intervene to prevent wheel spin, by automatically reducing the power output from the engine and applying braking to individual wheels.

This improves acceleration, particularly on surfaces with uneven friction, for example, one wheel on ice the other on tarmac.

Note: *If cruise control is engaged it will automatically disengage if stability control activates.*

The dynamic stability control system can be toggled OFF/ON by pressing the switch on the centre console. When OFF the warning indicator in the instrument pack will illuminate and a message will be shown to indicate that the system has been switched OFF.

The message centre will indicate any system malfunctions by the message: **DSC SYSTEM FAULT** and the warning indicator will show **Amber**

It is safe to drive the vehicle but the system may not activate under wheel spin or slide conditions. Report the fault to a Jaguar Dealer/Authorised Repairer as soon as possible.

When DSC is switched ON and the system is activated, automatic transmissions will select a shift pattern to suit traction control conditions.

Driving Information

BEFORE DEPARTING



WARNING:

Ensure the parkbrake is on and the gear selector is in position P or N before attempting to start the engine.

Before driving off, check the gauges and warning lamps and messages. Take special note of any warning indicator that is on.

Seat belts are provided for your safety and it is unwise, and in certain countries illegal, to commence any journey, however short, without wearing them.

WARMING UP

Do not operate the engine at high speed when first started, but allow time for the engine to warm up and the oil to circulate.

Driving Information

ENGINE BRAKING

When driving on mountain roads with long downhill gradients it is advisable to select a low gear.

HEADLAMPS IN DAYLIGHT

When visibility is poor the headlamps with dipped beam setting should be switched on so that the vehicle may be seen more easily by other road users. The instrument illumination dimmer control adjusts the brightness of the panel lighting.

Driving Information

PARKING THE VEHICLE

When leaving the vehicle, remember the following:

- Whenever the vehicle is being parked apply the parkbrake. If your vehicle is fitted with automatic transmission, move the gear selector to Park **P**.
- Do not leave children or pets in the vehicle unattended.
- Do not leave luggage or valuables on view. Always take your valuables with you or lock them in the luggage compartment.
- Remove the starter key and spare keys, even when the vehicle is in your garage.
- When the vehicle is unoccupied, close all windows and lock all doors securely.
- Park the vehicle where it can be seen. At night, park in a well-lit area.
- When leaving the vehicle unattended, for maximum security ensure that the doors are double-locked.
- Ensure that the keys are removed from the vehicle before locking the doors, and that all doors, the luggage compartment and the bonnet are closed.

ENGINE OIL CONSUMPTION

A certain amount of oil consumption is normal. The rate of consumption will depend on the following:

- The quality and viscosity of the oil.
- The amount of oxidation and dilution of the oil.
- Climatic conditions.
- The speed at which the engine is being operated.
- Road conditions.

Drivers should expect above normal consumption when the engine is new, and after running-in if high speeds are sustained.

Driving Information

WINTER DRIVING

Freeing a frozen door lock

Caution: Do not apply a proprietary lock de-icer through the keyhole.

Should the lock become frozen, warm the end of the key before use.

Windscreen wiper blades

Before driving away, clear any ice from the windscreen and check that the wiper blades are free. Switching on the heated screen will accelerate this process.

Frost precautions

The correct concentration of coolant must be maintained at all times when replenishing or refilling the cooling system.

TOURING

Foreign travel

Before planning foreign travel, check with a motoring organisation to ensure that your vehicle will comply with legal requirements of the countries you intend to visit.

It is advisable to carry vital spare parts to ensure serviceability in a remote area.

International motoring organisations are helpful for all aspects of long distance touring advice.

In some countries it is a legal requirement to carry spare vehicle bulbs.

First aid kit

A first aid kit is compulsory equipment in certain countries. Your Jaguar Dealer/Authorised Repairer can supply a first aid kit.

Fire extinguishers

Many countries make it compulsory to carry a fire extinguisher. Your Jaguar Dealer/Authorised Repairer can supply and fit one (see page '*DEALER FITTED FIRE EXTINGUISHER*', page 195).

Fuel in containers

Some countries forbid the carrying of fuel in containers, as do most ferry and hovercraft operators.

Cellular radio telephones

Ask your motoring organisation about the use of cellular radio telephones before travelling abroad, as some countries exercise controls on the importation and use of such equipment.

Roof-rack

For Saloon models, only the Jaguar approved roof rack should be used.

Driving Information

For Estate models, an approved load carrier must be attached to the roof rails, before attempting to carry items on the roof. Do not attempt to attach loads directly to the roof rails.

The maximum load, including the weight of the roof rack or load carrier, must not exceed the load rating indicated on the roof rack bars and **must** be deducted from the vehicle maximum luggage load. Do not exceed the roof load capacity (refer to page '*ALL VEHICLES*', page 237).

When carrying items on the roof, make sure the load is distributed evenly. It is advisable to place heavier items as low in the vehicle as possible. Make sure items placed on the roof do not obstruct the sunroof or prevent the Estate tailgate from opening.

Always ensure that items are securely fastened to the roof rack or load carrier, to avoid the load from shifting.

Loads on the roof rack may affect vehicle handling, especially in crosswinds or when cornering. Where possible, avoid heavy braking and sudden acceleration.

Jaguar warning triangle

A warning triangle to give traffic advanced notice of a disabled vehicle is compulsory in many countries. A triangle, designed to international standards, is standard equipment in certain countries.

Hazard warning lamps must be used with the warning triangle.

The warning triangle with its stand legs folded flat, is mounted on the inside of the luggage compartment lid (Saloon) or under the luggage compartment floor (Estate).

In an emergency, remove the triangle and unfold its stand legs. Place the triangle in the road in accordance with local traffic regulations to give oncoming traffic warning of an immobilised vehicle.

Driving Information

TOWING A CARAVAN OR TRAILER

Your Jaguar Dealer/Authorised Repairer, and the main motoring and caravanning organisations can advise you on towing, towing weight capacities and about regulations that apply in other countries.

The following are important points of safety, stability and comfort upon which further advice should be sought:

- Maximum braked towing weight is permissible, provided long periods of uphill driving on gradients over 8% are not undertaken.
- In high altitude mountainous regions, the thinner atmosphere can reduce engine performance. Above 1 000 metres (3 280 feet) the stipulated maximum permitted gross train weight must be reduced by 10% for every 1 000 metres (3 280 feet) in altitude.
- The kerbside weight of the vehicle can be found from page *'Weights'*, page 229.
- When towing, the nose weight of the caravan or trailer and the towbar assembly must be deducted from the permissible maximum load (see page *'Load Weights'*, page 237).
- When towing at the maximum permissible rear axle load, do not exceed 100 km/h (62 mph). Increase tyre pressures to 2.5 bar (39 lbf/in²).
- The recommended maximum towball nose weight is shown on page *'Load Weights'*, page 237. Having a lower nose weight or exceeding the maximum nose weight limit may impair the vehicle's handling.
- It is essential that only a Jaguar towbar and Jaguar electrical towbar kit are supplied and fitted by a Jaguar Dealer/Authorised Repairer.

Caution: Using electrical kits not specifically designed for this Jaguar will damage the electrical system of the vehicle.

Caution: When not in use, it is recommended that the removable towball is either securely stowed in the luggage compartment or, preferably, not in the vehicle. Do not leave it loose in the vehicle.

Caution: Avoid heavy braking. As the overrun brake on the caravan or trailer is not connected to the ABS, heavy caravan or trailer braking could critically affect the stability of the outfit as a whole.

Caution: Adjust the headlamp level to avoid dazzling other road users.

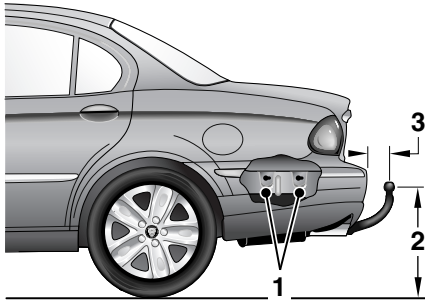
Caution: Ensure that the towing vehicle's engine, transmission, suspension, brakes and tyres are fully efficient and regularly serviced. Similarly check the wheels, tyres, brakes and wheel bearings of the caravan or trailer.

2.0 litre petrol and diesel models

After towing a caravan or trailer in a 1st or 2nd gear hill climb for extended periods, in ambient temperatures above 25°C (77°F), allow the car to idle for five minutes before switching the engine off. This will aid engine cooling.

Driving Information

TOWBAR FIXING POINTS - SALOON



JAG0764

The rear longitudinal members are factory pre-marked **(1)** for drilling for towbar mountings. There are three mounting points on each side.

There is a depression in the lower back panel which marks the point at which a hole is to be drilled for the wiring harness.

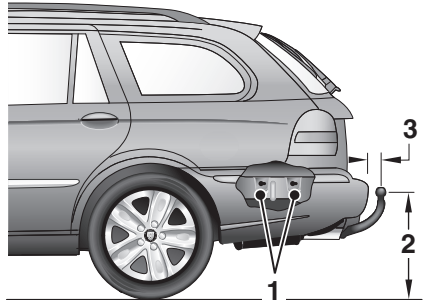
Towball centre height from the ground at Gross Vehicle Weight (GVW):

(2) = 385 mm (15.2 inches).

Towball centre distance from bumper cover:

(3) = 76 mm (3 inches).

TOWBAR FIXING POINTS - ESTATE



JAG0765

The rear longitudinal members are factory pre-marked **(1)** for drilling the towbar mountings. There are three mounting points on each side.

There is a depression in the lower back panel which marks the point at which a hole is to be drilled for the wiring harness.

Towball centre height from the ground at Gross Vehicle Weight (GVW):

(2) = 350 mm (13.75 inches).

Towball centre distance from bumper cover:

(3) = 95 mm (3.75 inches).

Fuel and Refuelling

SAFETY PRECAUTIONS



WARNING:

Fuel vapour is highly flammable and in confined spaces is explosive and toxic. In the event of inadvertent spillage, and before refuelling, always switch off the engine. Do not use exposed flame or light. Do not smoke. Do not inhale fumes.



WARNING:

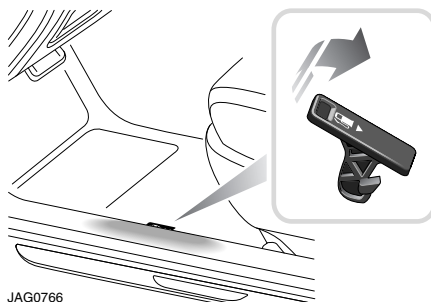
Do not fill the tank so that fuel is visible in the fuel filler intake tube. This could cause spillage and danger from exposed fuel.

Before refuelling, switch off the starter switch and remove the key.

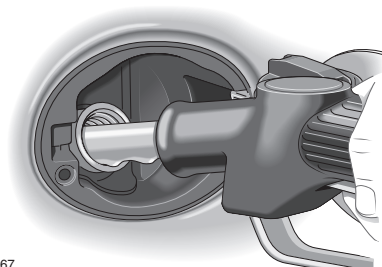
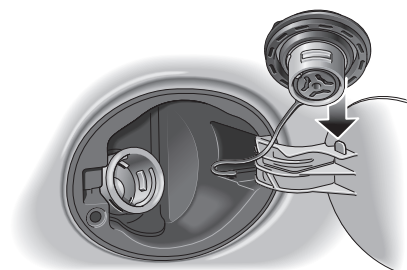
Caution: Do not put additives of any kind (fuel or oil) in the fuel tank. Additives could reduce engine life or affect exhaust emissions.

Note: Do not leave the starter key in the vehicle; vehicles have been stolen from garage service/filling stations whilst the driver is absent from the vehicle. It is recommended that the vehicle is locked, if left unattended.

FUEL TANK FILLING



JAG0766



JAG0767

The fuel filler flap release is located on the floor, outboard of the driver's seat. The filler flap is on the right-hand side of the vehicle. Pull the lever to release the flap.

Note: Vehicles with a diesel engine have a **yellow** filler cap.

Fuel and Refuelling

To remove the filler cap, turn it counterclockwise approximately $\frac{1}{2}$ a turn, until a slight resistance is met. Continue to turn the cap a further $\frac{1}{4}$ turn and remove it from the filler neck.

If the vehicle is fitted with a diesel engine, a label on the inside of the fuel filler flap serves as a reminder to fill the tank with the correct fuel.

The cap, which is held by a retaining strap, can be stowed over the hook on the flap to allow easy access to fill the tank.

When filling, the dispenser nozzle must be inserted into the filler neck sufficiently to open the trap door for fuel to flow into the fuel tank. For quickness and to completely fill the tank, ensure that the fuel nozzle rests on the bottom of the filler neck as shown. Fill the tank until the filler nozzle automatically shuts off. Filling beyond this point could result in fuel spillage.

After refuelling, refit the filler cap in the filler neck and twist the cap clockwise until it clicks three times. Close the flap, which automatically locks shut.

The continuous use of high quality fuel makes the need for additional additives unnecessary. This will help to protect the engine components against corrosion, carbon deposit formation and prevent the fuel injection system from logging.

If in doubt your local Jaguar Dealer/Authorised Repairer will advise on which fuel must be used in your vehicle.

Emission control components

Owing to the legislative requirements, or options, a Jaguar Dealer/Authorised Repairer should be consulted where any doubt exists as to the precise emission control system specification of this vehicle.

FUEL CAPACITY

Avoid the risk of running out of fuel and never intentionally drive the car when the fuel gauge indicates that the tank is empty. When refuelling your vehicle after the fuel gauge reads empty, you may not be able to add the fuel quantity shown below as there will be a small reserve remaining in the tank.

Total tank capacity	61.5 litres (13.5 Imp. Gallons)
Indicated refill capacity - E to F on fuel gauge	56.5 litres (12.4 Imp. Gallons)
Unindicated (reserve) capacity	5.0 litres (1.1 Imp. Gallons)

Fuel and Refuelling

FUEL REQUIREMENTS - PETROL ENGINES

Caution: Vehicles with petrol engines must only be filled with unleaded fuel. Leaded fuel will damage the catalytic converters.

Unleaded fuel

All vehicles are fitted with a catalytic system and can only use unleaded fuel.

Unleaded fuel must be used for the emission control system to operate properly. Its use will also reduce spark plug fouling, exhaust system corrosion and engine oil deterioration.

The preferred fuel should have an octane rating of at least 95 RON (Research Octane Number).

Super Green Plus 98 RON unleaded fuel (where available) may be used as an alternative to the standard 95 RON unleaded fuel.

Some countries have only 91 RON fuel available. The vehicles in these countries are specially calibrated to use this fuel.

Using unleaded fuel with an octane rating lower than recommended can cause persistent, heavy spark knock (a metallic rapping noise). If severe, this can lead to engine damage.

If a heavy spark knock is detected even when using fuel of the recommended octane rating, or if you hear steady spark knock while holding a steady speed on level roads consult a Jaguar Dealer/Authorised Repairer to have the problem corrected. Failure to do so is misuse of the vehicle, for which Jaguar Cars Limited is not responsible. However, occasional light spark knock for a short time while accelerating or driving up hill, may occur.

Fuels containing alcohol

Caution: Take care not to spill fuel during refuelling. Fuel containing alcohol can cause paint damage, which may not be covered under the warranty.

Some fuel suppliers sell fuel containing alcohol without advertising its presence. Where uncertainty exists check with the service station operator.

Note: Some difficulty in starting may be encountered when using alcohol blended fuel.

Ethanol

Caution: This vehicle is not suitable for use with fuels containing more than 10% ethanol. Do not use E85 fuels (85% ethanol content). Equipment necessary for the use of fuels containing more than 10% ethanol is not fitted to this vehicle. If E85 fuels are used, serious engine and fuel system damage will occur.

Fuels containing up to 10% ethanol (grain alcohol) may be used. Ensure the fuel has octane ratings no lower than those recommended for unleaded fuel. Most drivers will not notice any operating difference with fuel containing ethanol. If a difference is detected, the use of conventional unleaded fuel should be resumed.

Methanol

Some fuels contain methanol (methyl or wood alcohol). If you use fuels containing methanol the fuels must also contain co-solvents and corrosion inhibitors for methanol. Also, do not use fuels that contain more than three per cent methanol even if they contain co-solvents and corrosion inhibitors. Fuel system damage or vehicle performance problems resulting from the use of such fuels is not the responsibility of Jaguar Cars Limited, and may not be covered under the warranty.

Methyl Tertiary Butyl Ether (MTBE)

Unleaded fuel containing an oxygenate known as MTBE can be used provided the ratio of MTBE to conventional fuel does not exceed 15 per cent.

Fuel and Refuelling

MTBE is an ether based compound, derived from petroleum, which has been specified by several refiners as the substance to enhance the octane rating of fuel.

Reformulated gasoline

Several petroleum companies have announced the availability of reformulated fuels. These fuels are specially designed to further reduce vehicle emissions.

Jaguar fully supports all efforts to protect and maintain ambient air quality and encourages the use of reformulated gasoline where available.

FUEL REQUIREMENTS - DIESEL ENGINES

Use only high quality diesel fuel according to specification EN 590 or equivalent.

Caution: If you inadvertently fill your vehicle with petrol instead of diesel, do not attempt to start the engine. Contact your Jaguar Dealer/Authorised Repairer immediately.

Attempting to start the engine with petrol in the fuel tank will cause extensive damage to the engine and fuel system, which will not be covered by your Jaguar warranty.

Jaguar can accept no responsibility for any damage caused by running your vehicle with petrol in the fuel tank.

Prolonged use of additives is not recommended. Do not add kerosene/ paraffin or petrol to diesel fuels.

Caution:

- **Do not use RME (bio diesel) except in the case of those proprietary diesel fuels which contain a mix of up to 5%. Jaguar can accept no responsibility for damage caused by using RME in concentrations greater than 5%.**
- **Do not use vegetable oil instead of diesel. Jaguar can accept no responsibility for damage caused by using vegetable oil at any concentration.**

Fuel and Refuelling

DIESEL PARTICULATE FILTER (DPF)

The Diesel Particulate Filter (DPF) forms part of the emissions reduction system fitted to your vehicle. The DPF will remove a high proportion of the harmful carbon microspheres (soot) before they leave the exhaust. It achieves this by filtering out the particles, which are then stored until they are burnt away and the filter is emptied.

Regeneration

Caution: The regeneration procedure produces high temperatures in the DPF. Heat can be felt radiating from beneath the vehicle, which is normal and not a cause for concern. However, the vehicle should not be parked over combustible material, particularly during dry weather. The heat generated could be sufficient to start a fire when in close proximity to combustible material such as long dry grass, paper etc.

Unlike a normal filter which requires periodic replacement, the DPF has been designed to regenerate, or clean itself to maintain operating efficiency. The regeneration process takes place automatically in most cases. However, some unfavourable driving conditions mean that the regeneration process must be initiated deliberately by the driver.

Warning indicators and messages

Caution: Failure to take the appropriate action when a warning indicator or message appears may result in damage to the engine and DPF system, increased vehicle emissions, and costly repairs.

If regeneration cannot be achieved automatically by the system, due to short journeys for example, the driver will be notified via a warning indicator or message.

DPF FULL

If this message appears the driver should carry out the DPF regeneration procedure as soon as possible.

DPF FULL VISIT DEALER

If this message appears the vehicle should be taken to your Dealer/Authorised Repairer as soon as possible.

Fuel and Refuelling

Regeneration procedure

If **DPF FULL** along with the handbook symbol appears in the message centre, carry out the following procedure.

Note: *At all times during this procedure you should observe all relevant speed limits, laws and regulations. Always take account of traffic and weather conditions and drive with consideration for other road users.*

1. Drive the vehicle until the engine reaches normal operating temperature. The engine should not be left idling to achieve working temperature.
2. Drive the vehicle for a further twenty minutes, keeping the road speed above 48 km/h (30 mph).
3. If regeneration is successful, the warning indicator or message, will extinguish. If they do not, repeat the process.

Note: *If the warning indicator or message fails to extinguish after following the regeneration process three times, contact your Dealer/Authorised Repairer for assistance.*

RUNNING OUT OF FUEL

(Diesel models only)

Vehicles with diesel engines are equipped with a system to prevent the fuel tank from emptying completely. When the fuel reaches a minimum level, the system will activate and simulate a misfire (i.e. the engine will not run properly). Proceed to the next filling station and refuel with at least 4 litres of fuel.

If the symptoms are ignored, the engine will eventually stop, with approximately 4 litres of fuel remaining in the tank (this prevents the fuel system from running dry, which could cause damage to the vehicle).

If the gauge indicates low fuel or the warning indicator illuminates, the fuel tank should be refilled as soon as possible.

Fuel and Refuelling

CATALYTIC CONVERTERS AND DIESEL PARTICULATE FILTERS

A few precautions on the use of vehicles fitted with catalytic converters and Diesel Particulate Filters (DPF) are necessary. These are:

- In order to maintain the efficiency of the emission control system it is essential that the correct fuel is used. If the vehicle is fitted with a petrol engine, never refuel with leaded fuel: this will seriously damage the catalytic converters. If the vehicle is fitted with a diesel engine, use only high quality diesel fuel to specification EN 590 or equivalent.
- Heavy impact on the converter and DPF casings must be avoided.
- A correctly tuned engine optimises exhaust emissions, performance and fuel economy. It is recommended that the vehicle is regularly maintained.
- The use of catalytic converters and DPF increases exhaust system temperatures, therefore, do not operate or park the vehicle in areas where combustible materials such as dry grass or leaves may come into contact with the exhaust system.
- The engine settings must not be altered; they have been established to ensure that the vehicle will comply with stringent exhaust emission regulations. Incorrect engine settings could cause unusually high catalytic converter and DPF temperatures and thus result in damage to the converter, DPF and vehicle.

If adjustment to the settings is considered necessary, this should be performed by a Jaguar Dealer/Authorised Repairer.

- Do not continue to operate the vehicle if any engine malfunction is evident; malfunctions should be rectified immediately. For instance, misfire, loss of engine performance, excessive oil consumption or engine run-on may lead to unusually high catalytic converter temperatures and may result in damage to the converters and vehicle.
- Do not run a petrol engine with either a spark plug lead disconnected or a spark plug removed. Do not use any device that requires an insert into a spark plug hole in order to generate air pressure e.g. tyre pump, paint spray attachment etc., as this could also result in catalytic converter damage.
- The vehicle is designed for normal road use. Below are examples of abuse which could damage the catalytic converters and vehicle:
 - Competition or off-road use.
 - Excessive engine speed.
 - Overloading the vehicle.
 - Switching off engine whilst in gear.

These may lead to a dangerous condition due to excessively high catalytic converter temperatures.